

Thermostat Type CO 9000

Highlights

- High Reliability
- Compact Housing
- Low power consumption
- Semi-conductor outputs



General

The **CO 9000** is a thermostat to monitor up to 4 temperature limits. The device has inputs for PT-100 sensors. The input signals are checked for exceeding or falling below the defined setpoints. Crossing the setpoints causes the semi-conductor outputs to switch.

Mounting

The **CO 9000** is designed for rail mounting (17,5 mm). The housing is made of Polyamid PA 6.6 (Color: green).

Function

The CO 9000 has up to 4 inputs for Pt-100 two-wire sensors. The measuring current is 2 mA and causes only a minor raise of temperature within the sensor.

The measured values are processed and compared with the defined setpoints.

The CO 9000 has up to 4 n.o. contacts (normally open contacts) and each contact has two setpoints.

The setpoints are factory programmed to customers requirements. The crossing of a setpoint causes the corresponding semi-conductor relay to switch.

Each relay can switch 100 mA/33V as maximum. The forward resistance is 10 Ohm (typically). The switching contacts of the semi-conductor relays are protected with suppressor diodes against voltage peaks (<33V)

Startup

The connection of the device is showed on picture 1 (see overleaf). The Pt100 sensor is connected to clamp 1 and 4. Polarity doesn't matter. The 4 off-normal contacts are connected with 8 screw terminals (3/6, 9/12, 8/11, 7/10). The relay outputs are potential free and have no polarity. The device needs a power supply of 16,6 to 31,2 Volt. The power supply is connected to screw terminal 2 (+) and 5 (-).

Order key

Order key	contact	on	off
CO 9000-00402	A	< 5°C	>7°C
	B	>45°C	<35°C
	C	>50°C	<40°C
	D	>65°C	<55°C

The requested contacts (A,B,C,D) and the on and off set points has to be specified with an order.

Power Supply Voltages

CO 9000-	X	XXXXX
		Configuration
		Power supply
	0	18...36 V DC (Standard)
	1	4,5...9 V DC (Option)
	2	9...18 V DC (Option)
	3	36...48 V DC (Option)

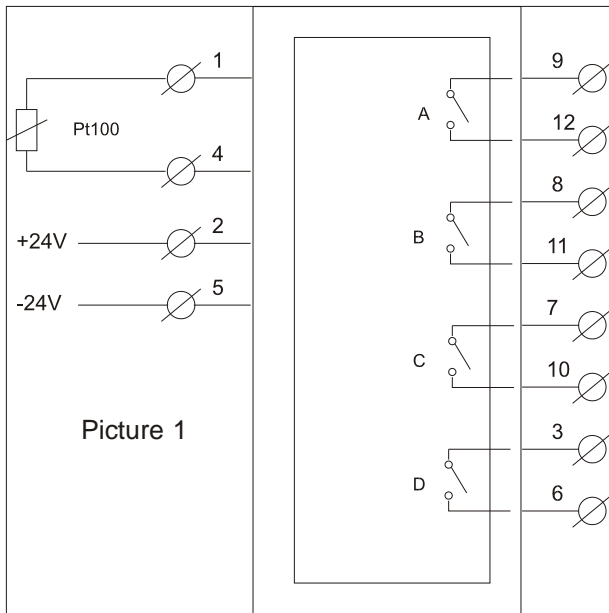
Connections

CO 9000-

Screw terminal 1	Pt100
Screw terminal 2	+24V
Screw terminal 3	Contact D
Screw terminal 4	Pt100
Screw terminal 5	- 24 V
Screw terminal 6	Contact D
Screw terminal 7	Contact C
Screw terminal 8	Contact B
Screw terminal 9	Contact A
Screw terminal 10	Contact C
Screw terminal 11	Contact B
Screw terminal 12	Contact A

Technical data

Pt100-input measuring current	: 2 mA
Set point A	: programmable
Set point B	: programmable
Set point C	: programmable
Set point D	: programmable
Tolerance	: < 1°C
Outputs	: 4 normal open
max. switching voltage	: 33 V
max. switching current	: 100 mA
Power supply	: 16,8 V..31,2 V DC
Power consumption	: max 31 mA
Design	: ENV 50121-3-2
EMV	: IP40
Protection class	: IP40
Combustible class	: VO (UL94)
Mounting	: ref. EN 50022
Environment temperature	: -25 bis +70 °C
Shock protection	: VDE 0115/Chap. : 200/page 520211
Dimensions	: 99x114,5x17,5 mm
Weight	: 100 g



Dimensions

